

# NEWS FOR FARRIERS



*the new*  
**RANGER**  
HORSESHOE LINE  
BY KERCKHAERT

**WEARS LONGER  
AND PLAYS HARDER  
THAN ALL THE REST**

**NEW  
RANGER  
LITE  
BY  
KERCKHAERT**

## Introducing the New Ranger Lite by Kerckhaert

**SHOES ARE NOW SHIPPING  
TO DEALERS THROUGHOUT  
NORTH AMERICA!**



The new Ranger Horseshoe Line by Kerckhaert has been designed for everyday use in both work and pleasure. With a higher grade of steel and v-crease, this shoe provides the perfect solution for farriers who want the best results at the best price. Try the new Ranger Lite today and you'll discover why farriers everywhere choose Kerckhaert.

### RANGER LITE FEATURES

- Easily shaped, hot or cold
- Punched for City or Slim nails
- Generic shape for front or hind
- High quality steel
- Made in Holland for the North American market
- V-crease
- Better wear
- Available in sizes 000, 00, 0, 1, 2 and 3

## New FootPro™ Saddlehorse Clincher

A traditional style saddle horse clincher has been added to the FootPro™ tool line. Made of high grade tool steel, this clincher is fully polished, providing comfort and reliability.



# FPD Releases Three New Videos

These three videos are now available for viewing on the FPD website at [farrierproducts.com](http://farrierproducts.com):

1. Application of a Kerckhaert Snow Rim Pad: Mike Wildenstein, CJF FWCF (hons) gives a step by step demonstration for applying Kerckhaert's Snow Rim Pads. Pads are available now in a black rubber or clear polyurethane material at very competitive prices.



2. Application of a Lily Pad: The Lily pad is a product developed for acute hoof emergencies where support under the frog is recommended. They are especially helpful in the acute stages of laminitis or quarter cracks. Mike Wildenstein, CJF FWCF (hons) walks through the simple steps involved.



3. Application of a Kerckhaert Egg Bar Shoe: Mike Wildenstein, CJF FWCF (hons) discusses application of the Kerckhaert Classic Roller egg bar and some of the key points that can help with any bar shoe use. Farriers in many disciplines find the Kerckhaert Classic Roller shoe, with or without the bar feature, to be a great shoe for many conformational or lameness issues.



## JUST A REMINDER



Be sure to like FPD on Facebook at [facebook.com/FarrierProductDistribution](https://facebook.com/FarrierProductDistribution), visit the HoofWall™ Blog at [farrierproducts.com/blog](http://farrierproducts.com/blog) and subscribe to us on YouTube [youtube.com/FarrierProducts](https://youtube.com/FarrierProducts).

Check out FPD's Field Guide for Farriers on your desktop, laptop or mobile device at [farrierproducts.com/fieldguide](http://farrierproducts.com/fieldguide).



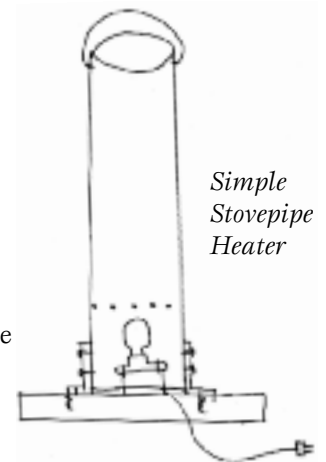
# Warmer Idea with a Simple Stove Pipe Heater

From Sammy Williams; Mexico, MO

This is how I warm Vettec products in the winter. I also use this heater to warm a pine tar can, or my gloves, as it will not overheat.

## MATERIALS NEEDED

- 1 6" stovepipe, 14" tall
- 1 9" x 9" piece of 1/2" plywood (can vary)
- 1 3-1/2" x 3-1/2" electrical box and porcelain fixture for light bulb
- 1 8 foot extension cord
- 1 100 watt bulb
- 3 L-brackets
- 1 Paint can bail (handle)
- 1 Baling type wire for lattice
- 5 Screws
- 6 Pop Rivets



## STEPS TO BUILD

- Attach electrical box to center of plywood.
- Attach porcelain with cord attached, using the L-brackets and pop rivets, to the bottom of the pipe, then attach all to the plywood.
- Drill a series of holes in the stovepipe just above the light bulb for later work with the wire.
- Work your wire through the holes to provide lattice to hold materials.
- Drill two holes at the top of the stovepipe for the handle.

## TO USE

- Plug in and drop Vettec in.
- Trim, reset or shoe. The Vettec should be warm enough to set up quickly in that length of time.

**Warning: If you have any concerns about your wiring have an electrician check before use. Do not set in wet areas or in areas where fire may be a concern.**

Sammy Williams is a long-time farrier and is considered one of the best in the state of Missouri.